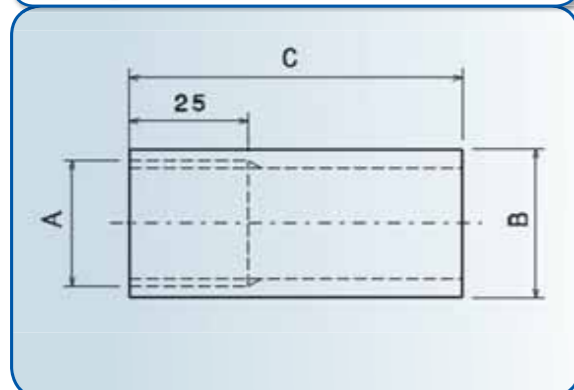




157. Manguitos para depositos ACS
Manguitos para acumuladores

Manguitos diferentes largos

MODELO	ROSCA (A)	B (Ø)	C (longitud)
B150305	1/2" BSP	27	35-60-70
B150306	3/4" BSP	32	35-70
B150307	1" BSP	40	35-52-60-70
B150308	1 1/4" BSP	49	35-70
B150309	1 1/2" BSP	55	35-70
B150311	2" BSP	66,3	35-70



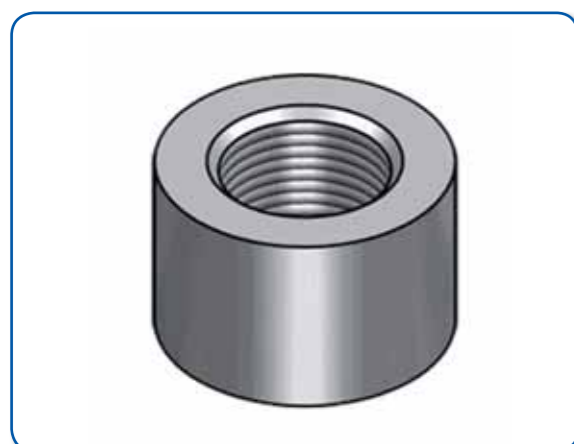
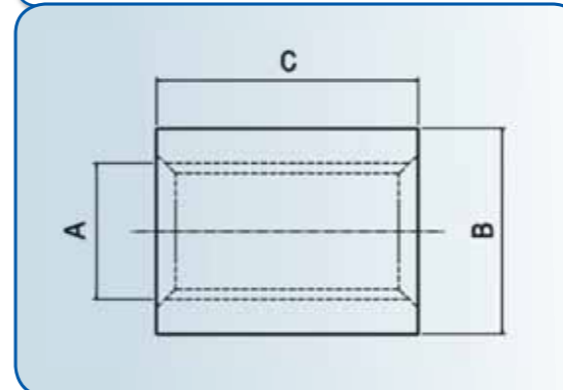
159. Manguitos roscado inoxidable para fabricación de depósitos

Manguito roscado Long. 65 mm Calidad: AISI 304

MODELO	ROSCA (A)	B (Ø)	C (longitud)
B160027	1/2" BSP	27	65
B160028-L	3/4" BSP	32	65, 120
B160029	1" BSP	41	65
B160030	1 1/4" BSP	50	65
B160031	1 1/2" BSP	55	65
B160032	2" BSP	70	65

Manguito roscado Calidad: AISI 316

MODELO	ROSCA (A)	B (Ø)	C (longitud)
B150188	3/8" BSP	22	26
B150189-F-L	1/2" BSP	27	27-34-50
B150190-B	3/4" BSP	32	15-35
B150191	1" BSP	41	39
B150192	1 1/4" BSP	50	48
B150193	1 1/2" BSP	55	48
B150194	2" BSP	70	56

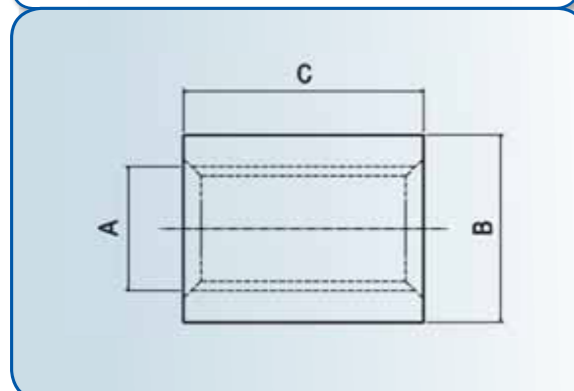


158. Manguitos soldables de pared gruesa (acero al carbono)

Manguitos rosca BSP o NPT

MODELO	ROSCA (A)	B (Ø)	C (longitud)
B142070	1/4" BSP o NPT	20	18
B142071	3/8" BSP o NPT	25	18
B142072	1/2" BSP o NPT	30	20
B142073	3/4" BSP o NPT	35	20
B142074	1" BSP o NPT	45	25
B142075	1 1/4" BSP o NPT	55	25
B142076	1 1/2" BSP o NPT	60	25
B142077	2" BSP o NPT	75	25

Para la fabricación de cilindros, depósitos y recipientes.



160. Manguitos forjados DIN 2986

Manguitos enteros

MODELO	ROSCA (A)	B (Ø)	C (longitud)
B140141	1/4" BSP	18,5	25
B140142	3/8" BSP	21,3	26
B140143	1/2" BSP	27	34
B140144	3/4" BSP	32	36
B140145	1" BSP	39,5	43
B140146	1 1/4" BSP	49	48
B140147	1 1/2" BSP	55	48
B140148	2" BSP	66,3	56

Medios manguitos

MODELO	ROSCA (A)	B (Ø)	C (longitud)
B140149	1/4" BSP	18,5	11
B140150	3/8" BSP	21,3	12
B140151	1/2" BSP	27	15
B140152	1/4" BSP	32	17
B140153	1" BSP	39,5	19,5
B140154	1 1/4" BSP	49	22
B140155	1 1/2" BSP	55	22
B140156	2" BSP	66,3	26

